

Motorized Rigging Bar

Maximum Load: 300KG

For rigging requirement of staging lighting, speakers and banners, the Rigging Bar offers a solution to present the equipment when needed, while hide them all back to ceiling after performance.

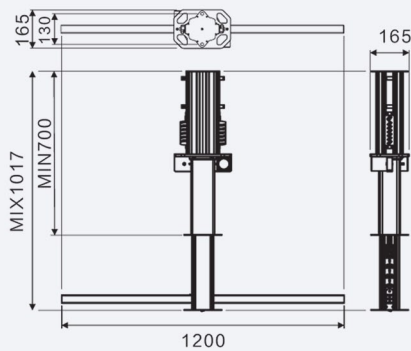
All the driven and control system are inside the structure with neat and tidy appearance.



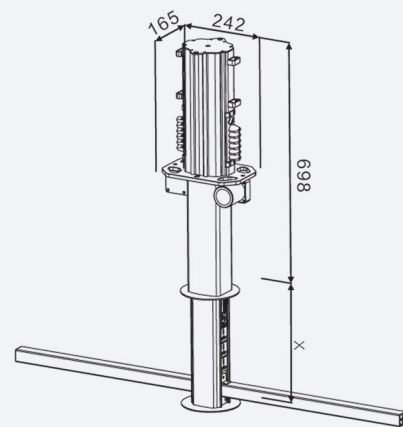
- 5 pcs 10A Universal Power Socket
- 1 pcs 20A Aviation Socket
- 2 pcs 5P Communication Interface Socket



With the tiny body it can match small ceiling space



Use M8 penetrate screw bars to hang the casing on the concrete ceiling or steel structure



(3D Sketch)

Specifications

Bar Height (Max x Min)	1017(Max) x 700(Min) (mm)
Weight Capacity	300 Kg

